



MX33 Stay-Safe Baby Seat

MX33 Magrini Stay-Safe baby seat gives parents a place to seat their babies with them safely inside a changing cubicle, toilet or fitting room.



Compliant with **CEN/TR 13387:2004** ✓

Colour Options



White Fleck



Oatmeal



- » New, compact fold-away design
- » Hygienic, easy-clean surfaces
- » Enclosed hinge eliminates finger traps
- » Contoured seat with raised side barriers
- » Integral 3-point strap with snap-lock buckle
- » Withstands static loads in excess of 80kgs

Key Features



The unique hinge construction eliminates finger traps. The hinge rotates within the enclosed moulding eliminating exposure to moving parts.



Contoured seat with raised side barriers for intrinsic safety.



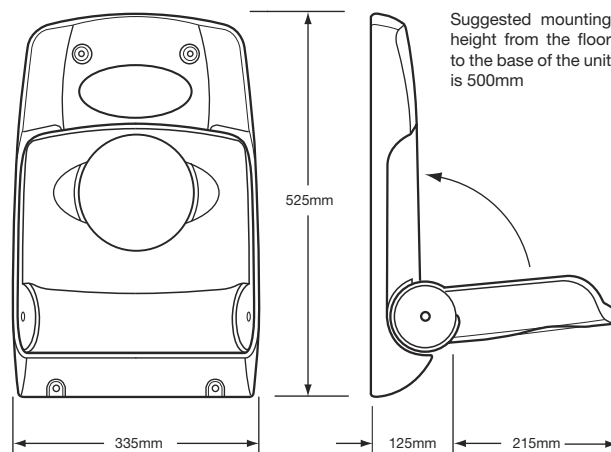
Integral 3-point strap incorporates adjustable waist and crotch restraints with snap-lock buckle.

Specification Clause - Manufacturer: Magrini Ltd., Tel: 01543 375311
 Fax: 01543 361172. Stay-Safe Baby Seat, Ref: MX33. Size: 335mm (width),
 525mm (height), 125mm (closed depth), 340mm (open depth).
 Material: MDPE with enclosed stainless steel reinforced hinge.
 Colour option: Oatmeal or White Fleck. Installation kit as supplied by
 manufacturer. Compliant with CEN/TR 13387:2004.



SAFETY STANDARDS

The Magrini MX33 is compliant with and independently tested to CEN/TR 13387:2004.



Designed and Manufactured in the UK

